**NK10/12-TV-XL**

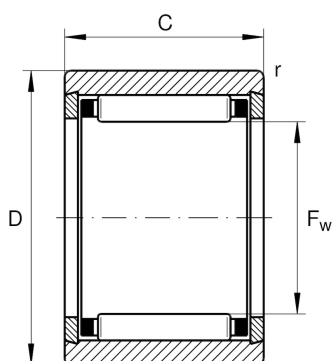
Needle roller bearing

Schaeffler ID:
0507532900000

Needle roller bearings NK, light series

X-life

Technical information

**Main Dimensions & Performance Data**

F_w	10 mm	Under roller diameter
D	17 mm	Outside diameter
C	12 mm	Width, outer ring
C_r	5,300 N	Basic dynamic load rating, radial
C_{0r}	5,500 N	Basic static load rating, radial
C_{ur}	940 N	Fatigue load limit, radial
n_G	29,500 1/min	Limiting speed
n_{gr}	29,000 1/min	Reference speed
	10.3 g	Weight

Additional information

r_{min}	0.3 mm	Minimum chamfer dimension
	G10X17X3	Sealing ring
	SD10X17X3	Sealing ring 2

Temperature range

T_{min}	-20 °C	Operating temperature min.
T_{max}	120 °C	Operating temperature max.